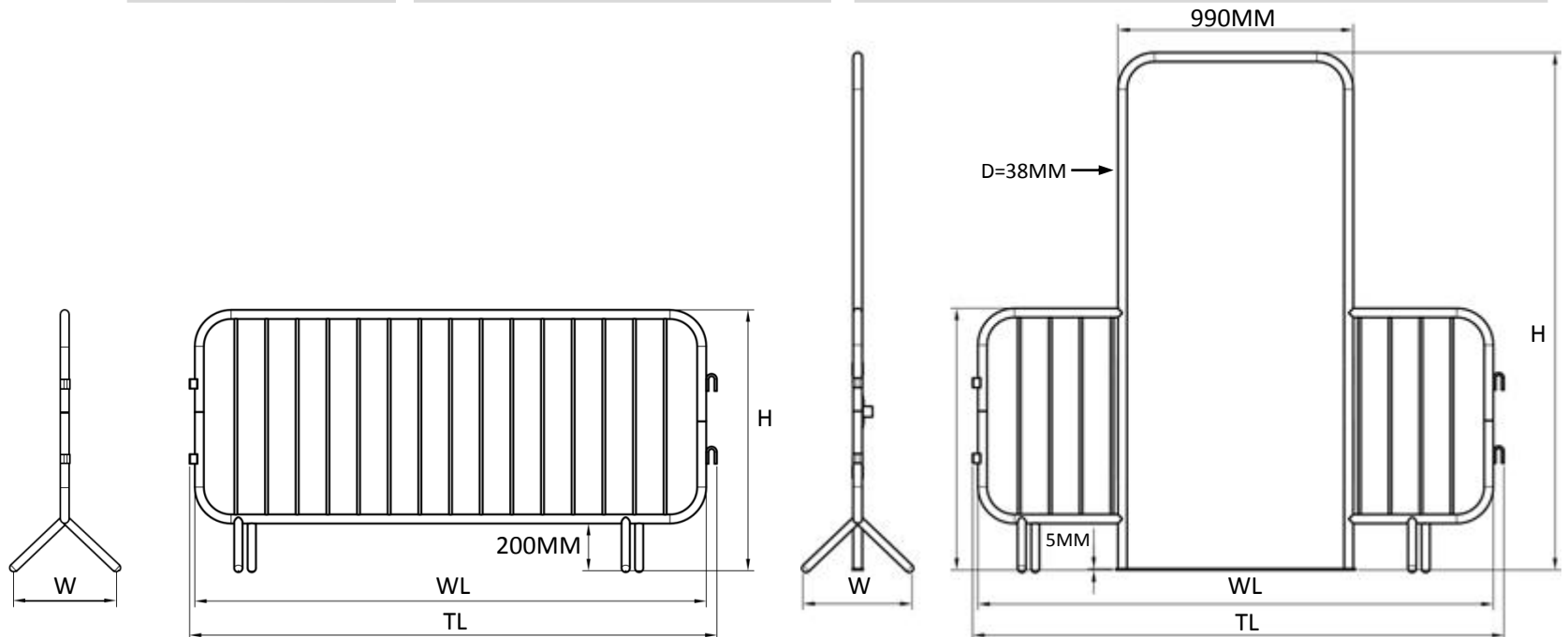


DATA SHEET **2.3M TEMPORARY PEDESTRIAN BARRIER**

Rugged steel barrier for pedestrian delineation

BARRIERS

PEDESTRAIN BARRIER		PEDESTRIAN WALK THROUGH	
PRODUCT CODE	PBSFF	PWB	
WL	2257 MM	2151 MM	
W	461	461	
TL	2250	2215	
H	1100	2165	
WEIGHT	11 KG	14KG	
PER PALLET	20 STRAPPED		
PER FULL LOAD			
MATERIAL	STEEL BRIGHT GALV	STEEL BRIGHT GALV	



DATA SHEET 2.3M TEMPORARY PEDESTRIAN BARRIER

Rugged steel barrier for pedestrian delineation

BARRIERS

PEDESTRIAN GATE / WALK THROUGH

PEDESTRIAN GATE / WALK THROUGH SPRUNG

PRODUCT CODE PWTBG
 WL 2151 MM
 W 461
 TL 2215
 H 2165
 WEIGHT 19 KG
 PER PALLET
 PER FULL LOAD
 MATERIAL STEEL BRIGHT GALV

SLWTBWG
 2151 MM
 461
 2215
 2165
 19 KG
 STEEL BRIGHT GALV

